

# CLEARVET™



## TOTAL SYSTEM ACCOUNTABILITY

The ClearVet™ DR is a direct digital radiography system designed to meet the needs of all small animal veterinary professionals. With the ClearVet™ DR, you can convert to digital with complete peace of mind knowing that your system is backed by in-house ClearVet™ hardware and software engineers. You can now say goodbye to film, chemicals, and re-takes.

Utilizing our ClearTouch™ Anatomical Programming, you can now get crystal clear diagnostic images in seconds. After images are pre-viewed at the table for correct positioning and accuracy, you get to unlock the full potential of our self-developed Blade™ acquisition software. Rich and powerful tools, such as calibrated measurements, adjustments to contrast and brightness, and comparing images from multiple patients are at the fingertips of the user and easy to use. Veterinarians can now discover the true meaning of intuitive and user-friendly software.

**Industry's Best Pricing**

---

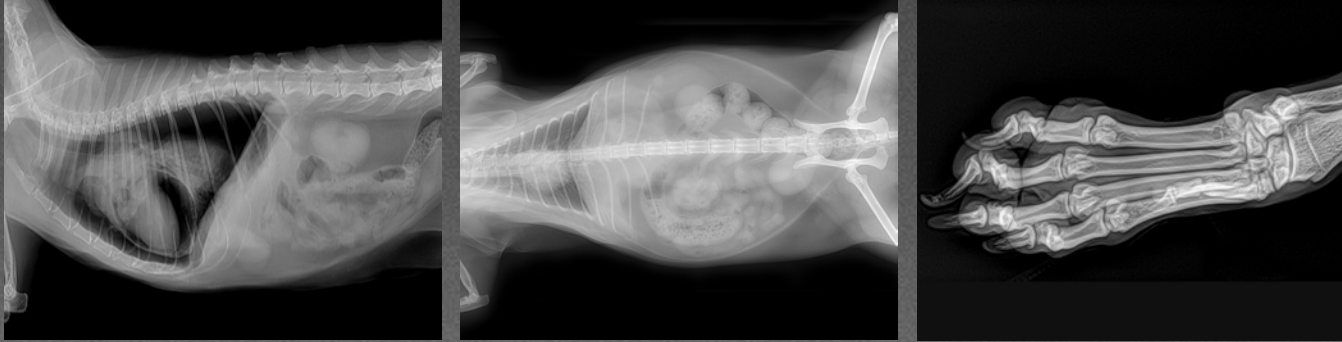
**ClearTouch™ Anatomical Programming**

---

**5 Year Total System Warranty**

[www.clearvetdigital.com](http://www.clearvetdigital.com)

# CLEARVET™ DR



"We are highly satisfied with your staff in regards to their professionalism and knowledge. It is a good feeling and a relief to know that when we do have a problem your team is there to help us out. I have a feeling this might be my best investment."

R. Cheema, DVM

## A Solution For Every Practice:

### ClearVet™ DR 6

- 6 Megapixel System
- Spatial Resolution: 2.5LP/mm
- Image Quality: 16 bit - 65,536 shades
- Acquisition Time: 4 seconds to review
- Active Image Area: 17" x 17"

### ClearVet™ DR 9

- 9 Megapixel System
- Spatial Resolution, 3.5LP/mm
- Image Quality: 16 bit - 65,536 shades
- Acquisition Time: 4 seconds to review
- Active Image Area: 17" x 17"

### ClearVet™ DR 16

- 16 Megapixel System
- Spatial Resolution, 4.6LP/mm
- Image Quality: 16 bit - 65,536 shades
- Acquisition Time: 4 seconds to review
- Active Image Area: 17" x 17"

## All Systems Feature:

### X-RAY TABLE

- 22" x 60", Full travel, 4-way Float Table Top
- High Frequency, 32kW Generator
- 400mA, 125kVp
- ClearTouch™ Touchscreen Anatomical Programming
- Tube mounted high resolution image preview

### DIAGNOSTIC ACQUISITION PC & MONITOR

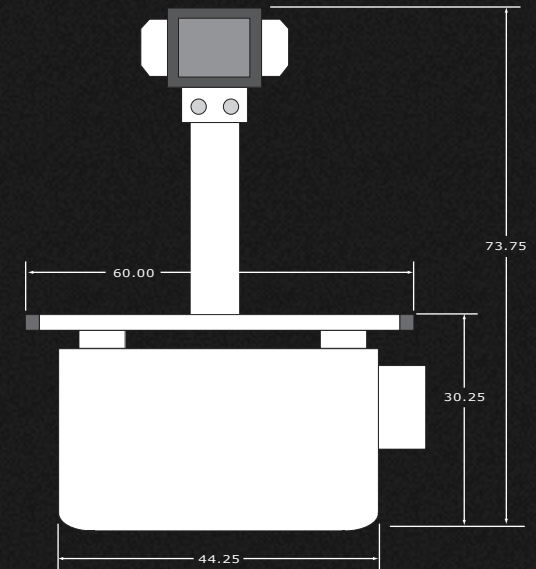
- Dell OptiPlex, Intel Core2 Duo processor, 2GB RAM, CD/DVD Burner, 10/100 Ethernet, USB 2.0

### MONITOR

- 22" viewable area, high resolution, high contrast

### SOFTWARE FEATURES

- Image acquisition, review and evaluation
- Send and receive images in seconds
- Automatic window leveling
- Measurement and annotation tools
- CD/DVD Writer
- Unlimited remote workstation licenses



Authorized Distributor:



[www.clearvetdigital.com](http://www.clearvetdigital.com)